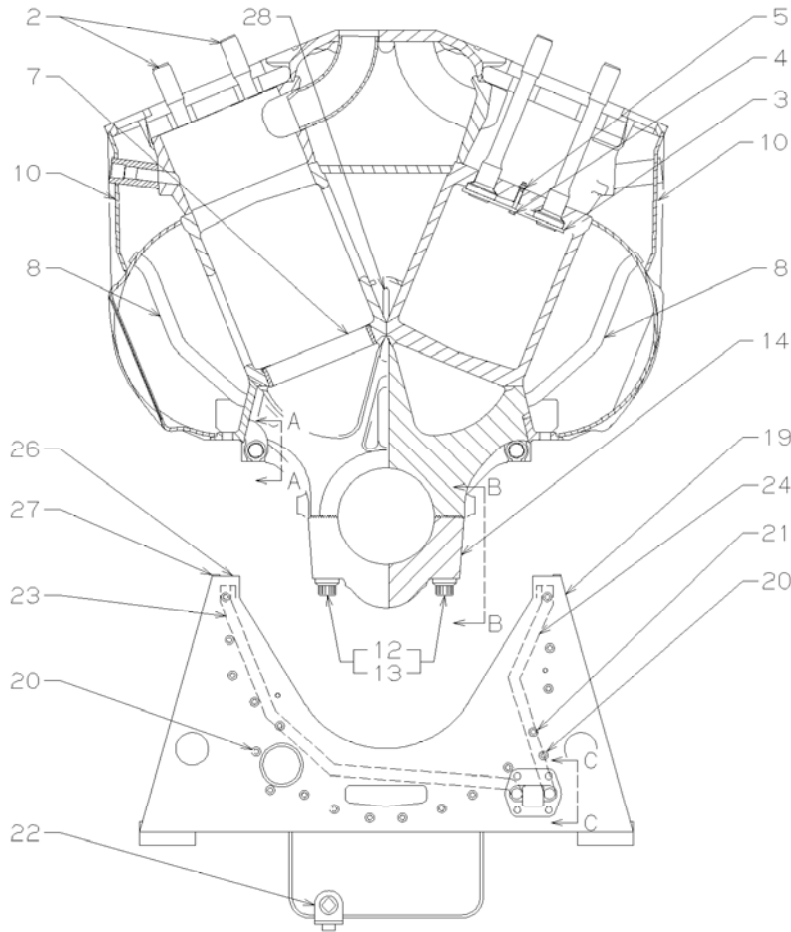
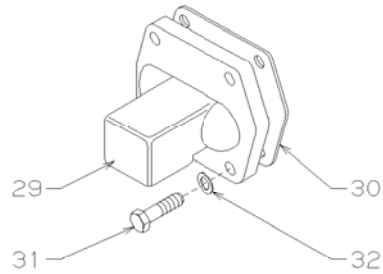
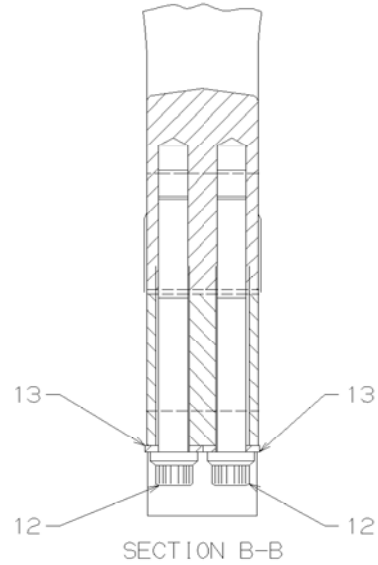
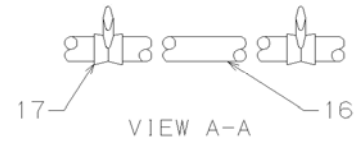


### Assembly 3: ENGINE, CRANKCASE, AND OIL PAN ASSEMBLY Crankcase and Oil Pan Assembly



REF. NO. 1



VIEW C-C

EN47665

Asm - Ref. No.	Part Number	Qty.	Description
3-1	REF	1	<b>CRANKCASE ASSEMBLY..</b> Engine - Includes oil pan - Part number will be assigned upon customer request
-2	40028826	28	<b>BOLT..</b> Crab
-3	8133575	14	<b>BRACKET..</b> Crab bolt
-4	8348556	14	<b>BOLT..</b> Hex head 3/8-24 x 3
-5	8089200	14	<b>NUT..</b> Spline 3/8-24
-6	8345079	6	<b>SUPPORT ASSEMBLY..</b> (not shown)
-7	9319169	12	<b>INSERT..</b> Lower liner
-8	8346155	4	<b>TUBE..</b> Breather
-9	8453838	2	<b>BUSHING..</b> Locator (not shown)
-10	9547147	2	<b>PLATE..</b> Side cover
-11	8159128	4	<b>BLOCK..</b> Support (not shown)
			<i>(Continued)</i>

Asm - Ref. No.	Part Number	Qty.	Description
3-1	REF	1	<b>CRANKCASE ASSEMBLY..</b> Includes oil pan - Part number will be assigned upon customer request
-12	40056030	28	<b>BOLT..</b> Main bearing
-13	8412532	28	<b>WASHER..</b> Special - Flat - 2-1/4 O.D. x 1-9/32 I.D. x 1/4 inch thick - Lower main bearing stud nut
-14	REF	7	<b>CAP..</b> Main bearing - See page 1-27
-15	8433263	2	<b>SLEEVE..</b> Water manifold (not shown)
-16	8032682	2	<b>TUBING..</b> Piston cooling manifold - Drill at assembly
-17	8140865	12	<b>BRACKET..</b> Piston cooling manifold - One piece - Not drilled or tapped
-17	8445780	12	<b>BRACKET..</b> Piston cooling manifold - Two piece - Machined and tapped (optional, not shown)
-18	40005816	2	<b>COVER..</b> Air box (not shown)
-19	REF	1	<b>OIL PAN ASSEMBLY..</b> Engine - Not serviceable as a separate assembly - Available as Crankcase and Oil Pan Assembly, Ref. No. 1
-20	8081234	21	<b>NUT..</b> Spline 1/2-20
-21	103879	1	<b>PLUG..</b> Pipe 1/4PT - Square head
-22	103870	1	<b>PLUG..</b> Pipe 1PT
-23	9544313	1	<b>TUBE..</b> Air box drain
-24	9315262	1	<b>TUBE..</b> Air box drain
-25	8480810	2	<b>TUBE ASSEMBLY..</b> Oil gauge (not shown)
-26	8198078	2	<b>SEAL..</b> O-ring - Air box drain
-27	8187009	2	<b>SEAL..</b> Crankcase to oil pan - Silicone rubber - 109-1/2 inches
-28	9541517	7	<b>TUBING..</b> Lube oil - Crankshaft and main bearings - 1/2 inch O.D. x 17-7/16 inches
-29	8364299	1	<b>FLANGE..</b> Air box drain - 3/4 FPT
-30	8356239	1	<b>GASKET..</b> Air box drain flange mounting
-31	181429	4	<b>BOLT..</b> Hex head 1/2-20 x 1-1/4
-32	6101229	4	<b>WASHER..</b> Flat 1/2
			<i>The following components, Ref. Nos. 33 thru 44, are not illustrated.</i>
-33	40051217	1	<b>NAMEPLATE..</b> Engine timing - Stainless steel - 5 x 6-1/2 inches
-34	193933	4	<b>RIVET..</b> Flat head 3/32 x 1/2
-35	272511	26	<b>BOLT..</b> Hex head 1-14 x 2-3/4 - Crankcase to oil pan
-36	272512	4	<b>BOLT..</b> Hex head 1-14 x 9 - Crankcase to oil pan
-37	131019	30	<b>WASHER..</b> Flat 1 inch
-38	8032724	30	<b>NUT..</b> Hex lock 1-14
-39	9557707	1	<b>SUPPORT..</b> Anchor shackle - Bolts to crankcase and camshaft drive housing - See page 1-10
-40	8054189	4	<b>DOWEL..</b> Tapered and threaded - .706 diameter x 1/2-20 x 2 inches
-40	8126991	4	<b>DOWEL..</b> Tapered and threaded - .716 diameter (optional)
-40	8126992	4	<b>DOWEL..</b> Tapered and threaded - .736 diameter (optional)
-41	40074628	2	<b>GAUGE..</b> Oil level - Dipstick - Standard capacity oil pan
-42	8071849	2	<b>SEAL..</b> Felt - Oil level gauge
-43	103343	4	<b>WASHER..</b> Flat 1/2
-44	8032719	4	<b>NUT..</b> Hex lock 1/2-20