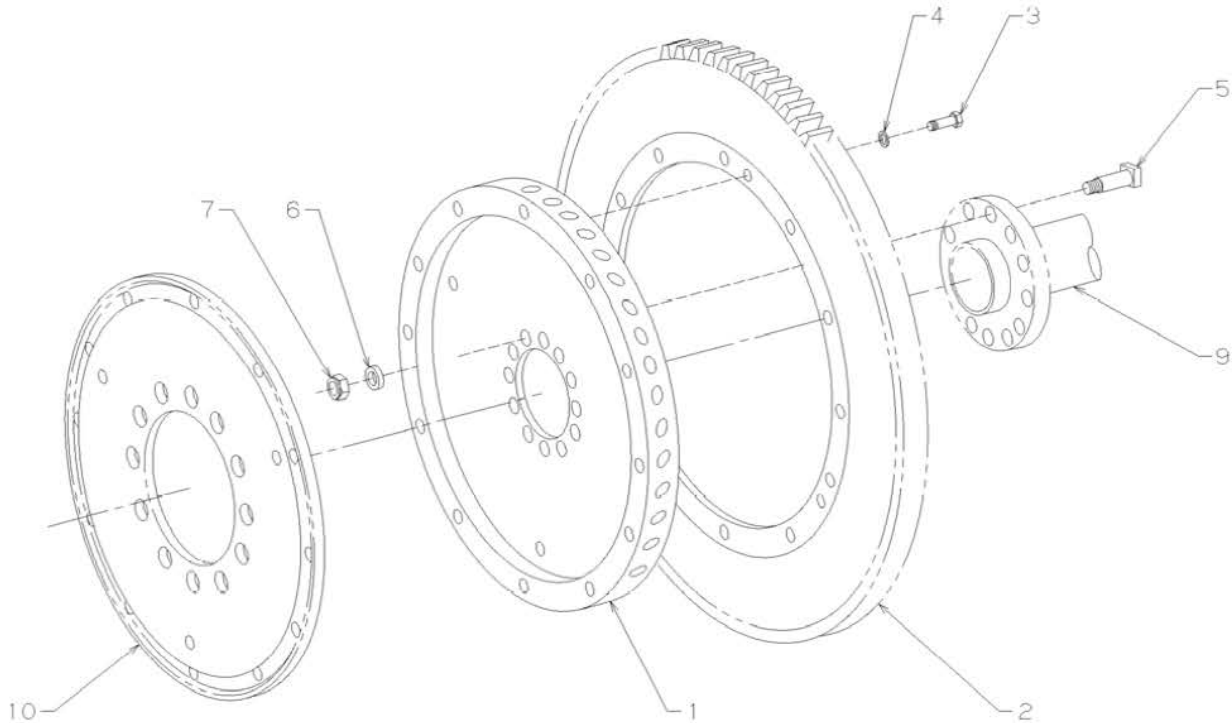


## Assembly 13: CRANKSHAFT COUPLINGS

### Engine Coupling Disc and Ring Gear



ES37589

Asm - Ref. No.	Part Number	Qty.	Description
13-1	9553716	1	DISC.. Engine coupling
-2	40051536	1	GEAR.. Ring - Starter motor - 265 Teeth
-3	181370	3	BOLT.. Hex head 3/8-24 x 1-1/4 - Ring gear to disc
-4	103321	3	WASHER.. Lock 3/8
-5	8360844	12	BOLT.. Square head 1-1/4-12 x 4-13/32 - Special
-6	8360846	8	WASHER.. Special 1-1/4
-7	8360845	12	NUT.. Hex lock 1-1/4-12
-8	8414611	2	BRACKET.. Indicator - Timing (not shown)
-9	40048625	1	CRANKSHAFT.. Engine - See page 1-27
-10	9556139	1	DISC.. Generator coupling - Generator to engine
-11	8363312	12	BOLT.. Offset head 1-1/4-12 x 4-1/16 - Generator coupling disc mounting (not shown)
-12	8360846	12	WASHER.. Special - 2-7/16 O.D. x 1-9/32 I.D. x .350 inch thick (not shown)
-13	8360845	12	NUT.. Hex lock 1-1/4-12 (not shown)

40051606, , 40049452, 40043696B