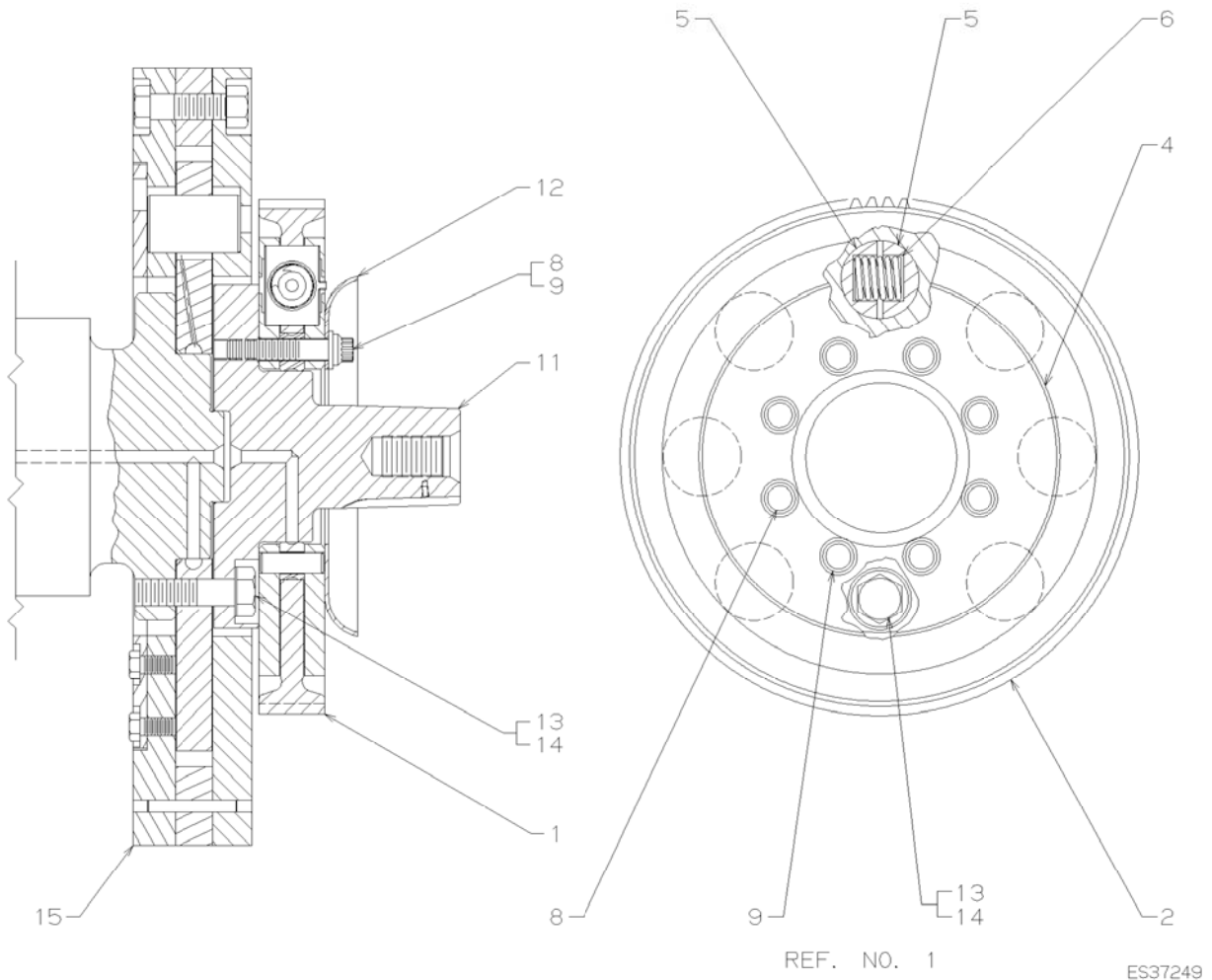
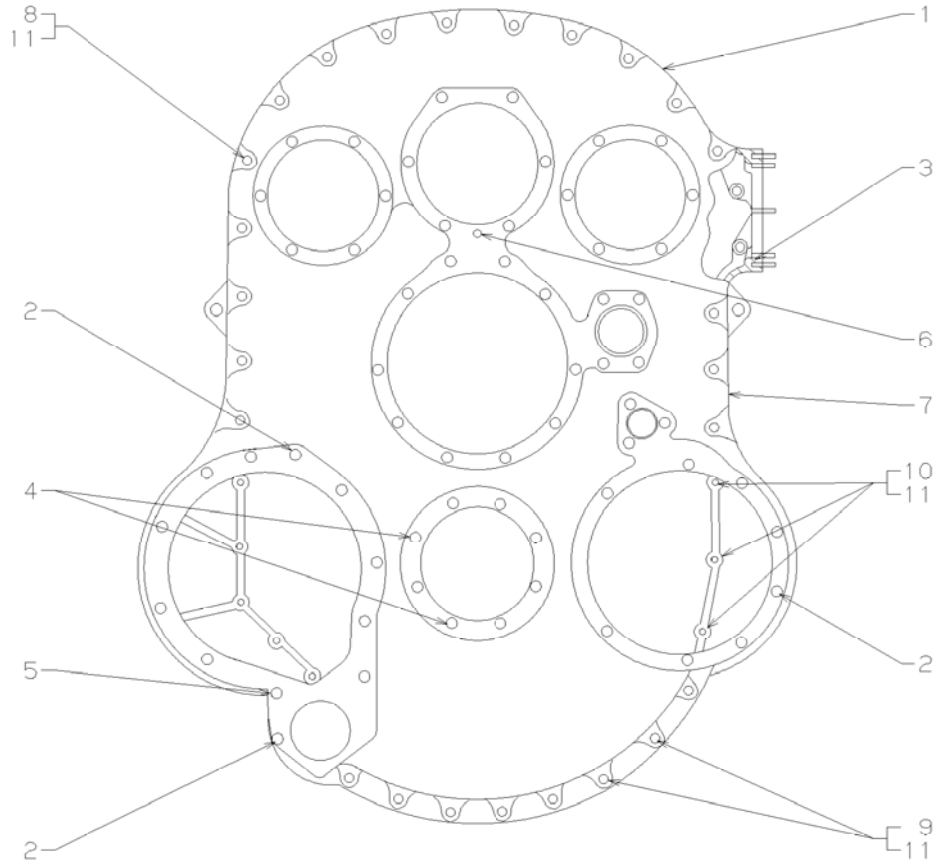


Assembly 11: ACCESSORY DRIVE GEAR ASSEMBLY

Accessory Drive Gear and Bolt-On Stubshaft Arrangement



Asm - Ref. No.	Part Number	Qty.	Description
11-1	9320634	1	GEAR ASSEMBLY.. Accessory drive
-2	8360839	1	GEAR.. Accessory drive - Spur
-3	8483064	1	HUB.. Drive gear (not shown)
-4	8483014	1	DISC.. Front
-4	8483015	1	DISC.. Rear
-5	9091463	16	SEGMENT.. Spring
-6	8360837	8	SPRING.. Coil
-7	8483097	2	DOWEL.. Alignment - .626 diameter x 1-15/16 inches long (not shown) 8483098.. 0.005 O.S. - 8483099.. 0.010 O.S. - 8483100.. 0.015 O.S. (optional)
-8	9434253	8	BOLT.. Spline head - 12 point - 5/8-11 x 3-1/4
-9	8483090	8	WASHER.. Special - 1-1/8 O.D. x 21/32 I.D. x 1/8 inch thick
-10	102639	8	NUT.. Hex 5/8-11 - For shipping and storage only (not shown)
-11	9546333	1	STUBSHAFT.. Tapered
-12	8483087	1	SLINGER.. Oil - Accessory drive
-13	223771	8	BOLT.. Hex head 7/8-14 x 3-1/4 - Stubshaft to crankshaft
-14	8174659	8	WASHER.. Special - 1-5/8 O.D. x 15/16 I.D. x 1/8 inch thick
-15	40051110	1	DAMPER ASSEMBLY.. Torsional vibration - See page 1-28

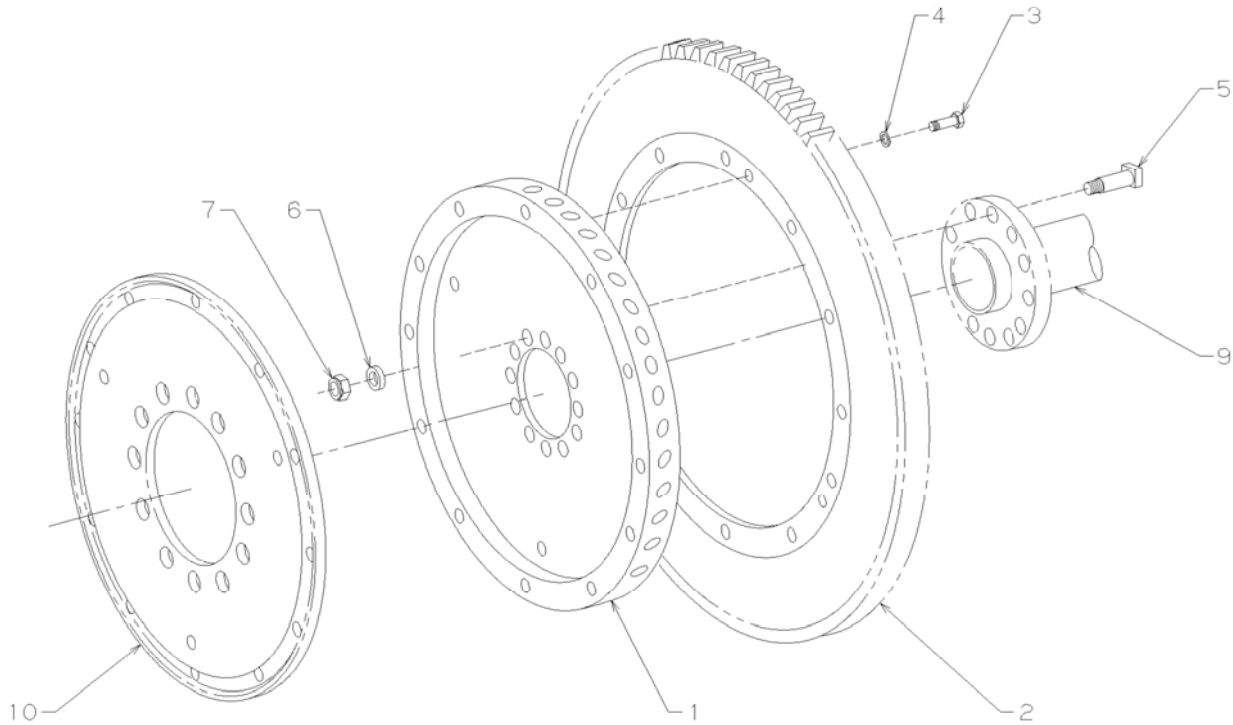
Assembly 12: ACCESSORY DRIVE HOUSING COVER

EN33610

Asm - Ref. No.	Part Number	Qty.	Description
12-1	9571255	1	COVER ASSEMBLY.. Accessory drive
-2	8081581	57	NUT.. Spline 1/2-20
-3	8084872	8	STUD.. 5/16-18 x 5/16-24 x 1-1/2 inches long 8123044.. 0.002 O.S. - 8126982.. 0.015 O.S. 8123045.. 0.004 O.S. - 8126983.. 0.017 O.S.
-4	8084871	8	STUD.. 1/2-13 x 1/2-20 x 2-7/16 8123046.. 0.002 O.S. - 8126979.. 0.015 O.S. 8123047.. 0.004 O.S. - 8126980.. 0.017 O.S.
-5	9574852	2	STUD.. 1/2-13 x 1/2-20 x 2-9/16
-6	8028366	1	PIN.. Dowel - 3/8 diameter x 7/8
-7	40040015	1	GASKET.. Accessory drive housing to crankcase
-8	181446	17	BOLT.. Hex head 1/2-20 x 4
-9	181435	10	BOLT.. Hex head 1/2-20 x 2
-10	181433	10	BOLT.. Hex head 1/2-20 x 1-3/4
-11	6101229	37	WASHER.. Flat 1/2

Assembly 13: CRANKSHAFT COUPLINGS

Engine Coupling Disc and Ring Gear



ES37589

Asm - Ref. No.	Part Number	Qty.	Description
13-1	9553716	1	DISC.. Engine coupling
-2	40051536	1	GEAR.. Ring - Starter motor - 265 Teeth
-3	181370	3	BOLT.. Hex head 3/8-24 x 1-1/4 - Ring gear to disc
-4	103321	3	WASHER.. Lock 3/8
-5	8360844	12	BOLT.. Square head 1-1/4-12 x 4-13/32 - Special
-6	8360846	8	WASHER.. Special 1-1/4
-7	8360845	12	NUT.. Hex lock 1-1/4-12
-8	8414611	2	BRACKET.. Indicator - Timing (not shown)
-9	40048625	1	CRANKSHAFT.. Engine - See page 1-27
-10	9556139	1	DISC.. Generator coupling - Generator to engine
-11	8363312	12	BOLT.. Offset head 1-1/4-12 x 4-1/16 - Generator coupling disc mounting (not shown)
-12	8360846	12	WASHER.. Special - 2-7/16 O.D. x 1-9/32 I.D. x .350 inch thick (not shown)
-13	8360845	12	NUT.. Hex lock 1-1/4-12 (not shown)

40051606, , 40049452, 40043696B